

PACKER™

3215/BT OPERATING INSTRUCTIONS



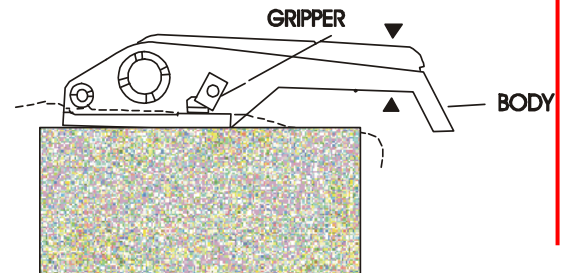
USER INSTRUCTIONS

To obtain the best results from this product
PLEASE READ BEFORE USE

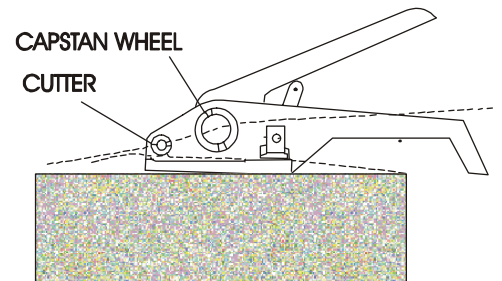
3215/BT OPERATING INSTRUCTIONS

The PACKER Tensioner is designed for use with plastic strapping for case and carton closing for securing unitised and palletised goods for handling and transit purposes. The PACKER Tensioner, with the PACKER Sealer, is a low cost, effective and portable strapping system.

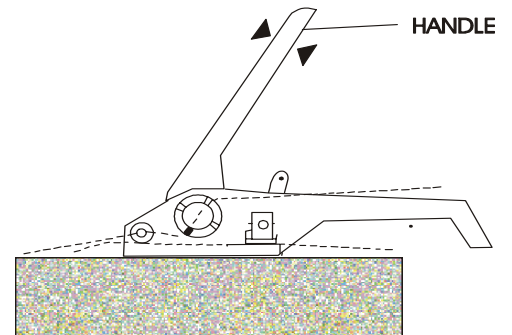
1. Encircle pack with the strapping. Squeeze handle and body together thus releasing the gripper. Place the strapping in the machine so that the free end of the strapping protrudes a few inches beyond the front of the tool and passes beneath the open gripper. Release handle to close gripper.



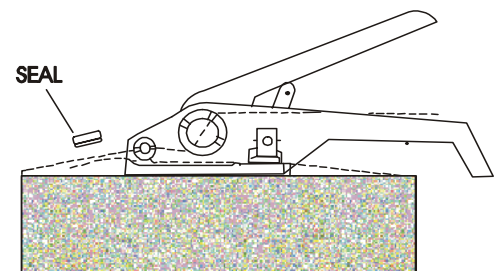
2. Draw upper strap through the cutter and through the slots of the capstan tensioning wheel (line up as necessary) and grip the strapping and body together.



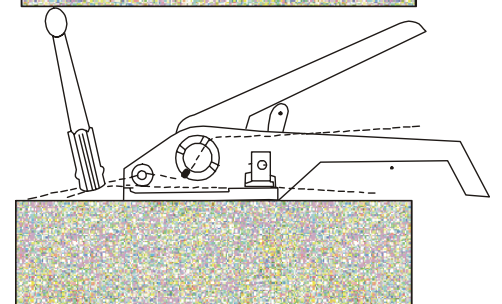
3. Maintaining grip on the body Operate handle to and fro to turn capstan wheel to tension strap.



4. When desired tension is achieved leave the handle in the neutral position shown. Place a seal over both straps at the front of the tool.

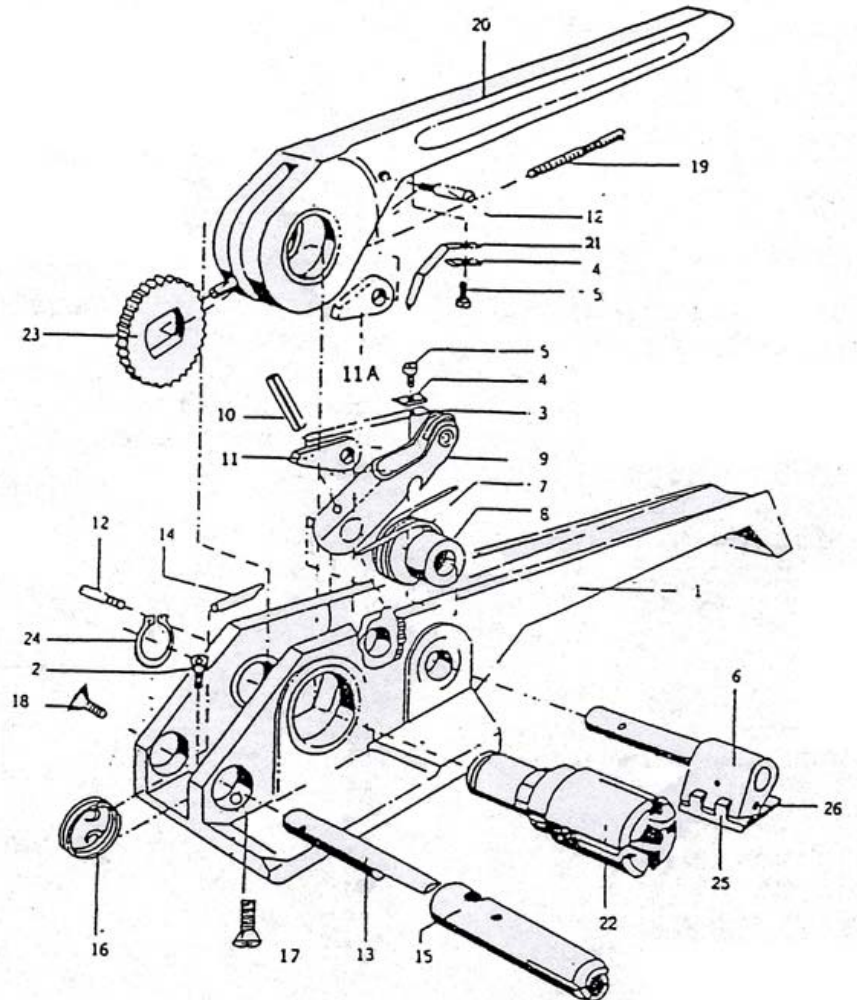


5. Apply PACKER Sealer to close the seal and complete the joined strap. Remove the sealer.



3215/BT PARTS LIST

DIAG No	REF	DESCRIPTION
1	3215BT/1	Body
2	3215BT/2	Set Screw
3	3215BT/3	Spring
4	3215BT/4	Washer
5	3215BT/5	Screw
6	3215BT/6	Leg
7	3215BT/7	Main Spring
8	3215BT/8	Bushing
9	3215BT/9	Lever Release
10	3215BT/10	Spring Pin
11	3215BT/11	Ratchet/Toggle
11A	3215BT/11A	Toggle
12	3215BT/12	Shaft Handle
	3215BT/12A	Shaft Body
13	3215BT/13	Cutting Blade
14	3215BT/14	Blade Lever
15	3215BT/15	Cutter Housing
16	3215BT/16	Spring
17	3215BT/17	Set Screw
18	3215BT/18	Set Screw
18A	3215BT/18A	Lock Screw
19	3215BT/19	Set Screw
19A	3215BT/19A	Lock Screw
20	3215BT/20	Handle
21	3215BT/21	Ratchet Spring
22	3215BT/22	Windlass
23	3215BT/23	Ratchet Wheel
24	3215BT/24	Clip Spring
25	3215BT/25	Foot
26	3215BT/26	Screw
	3215BT/27	Plastic Roller
	3215BT/28	Rivet
	3215BT/29	S/Bush
	3215BT/30	M/Bush
	3215BT/31	L/Bush



Keep tool well oiled. Order parts by number and name



PACKER™

1 Lords Way, Basildon, Essex
SS13 1TN, England.

TEL: +44 (0) 1268 885 885

FAX +44 (0) 1268 885 860
E-MAIL sales@packer-products.co.uk
www.packer-products.co.uk