

MINI STOPPER®

Protective cover to prevent malicious or accidental damage to electrical switches and call points

The Mini Stopper is an aesthetic inexpensive cover, which provides a secure fit to a wide range of electrical switches and call points. The cover prevents misuse of the device without restricting legitimate operation. It is ideal for schools, colleges, hospitals, nursing homes, hotels and all public buildings where there is a risk of malicious or accidental activation.

How it Works

The Mini Stopper consists of a clear tough polycarbonate hinged cover that retrofits securely over the device. Simply lift the cover to gain access to the device. Once the cover is released the spring loaded hinge returns the cover to its original position.



STI 6831

Features

- Constructed from tough clear polycarbonate.
- Easy to install, can retrofit over an existing device.
- Spring loaded hinge mechanism.
- Protects equipment from accidental operation, vandalism & product misuse.
- Available for flush or surface mounted applications.

Part Numbers

- STI 6830** Mini Stopper flush
- STI 6831** Mini Stopper surface
- STI 6803** 35 mm spacer (supplied with 6831)

Call freephone
0800 085 1678
for a full product catalogue.



Safety Technology International (Europe) Ltd.
Unit 49G Pipers Road • Park Farm Ind. Est. • Redditch • Worcs • B98 0HU • England
Telephone: 44 (0) 1527 520 999 • Facsimile: 44 (0) 1527 501 999
Email: info@sti-europe.com • Web: www.sti-europe.com

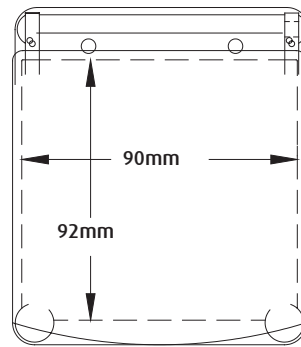
Dimensions and Technical Information

Flush Mount Application

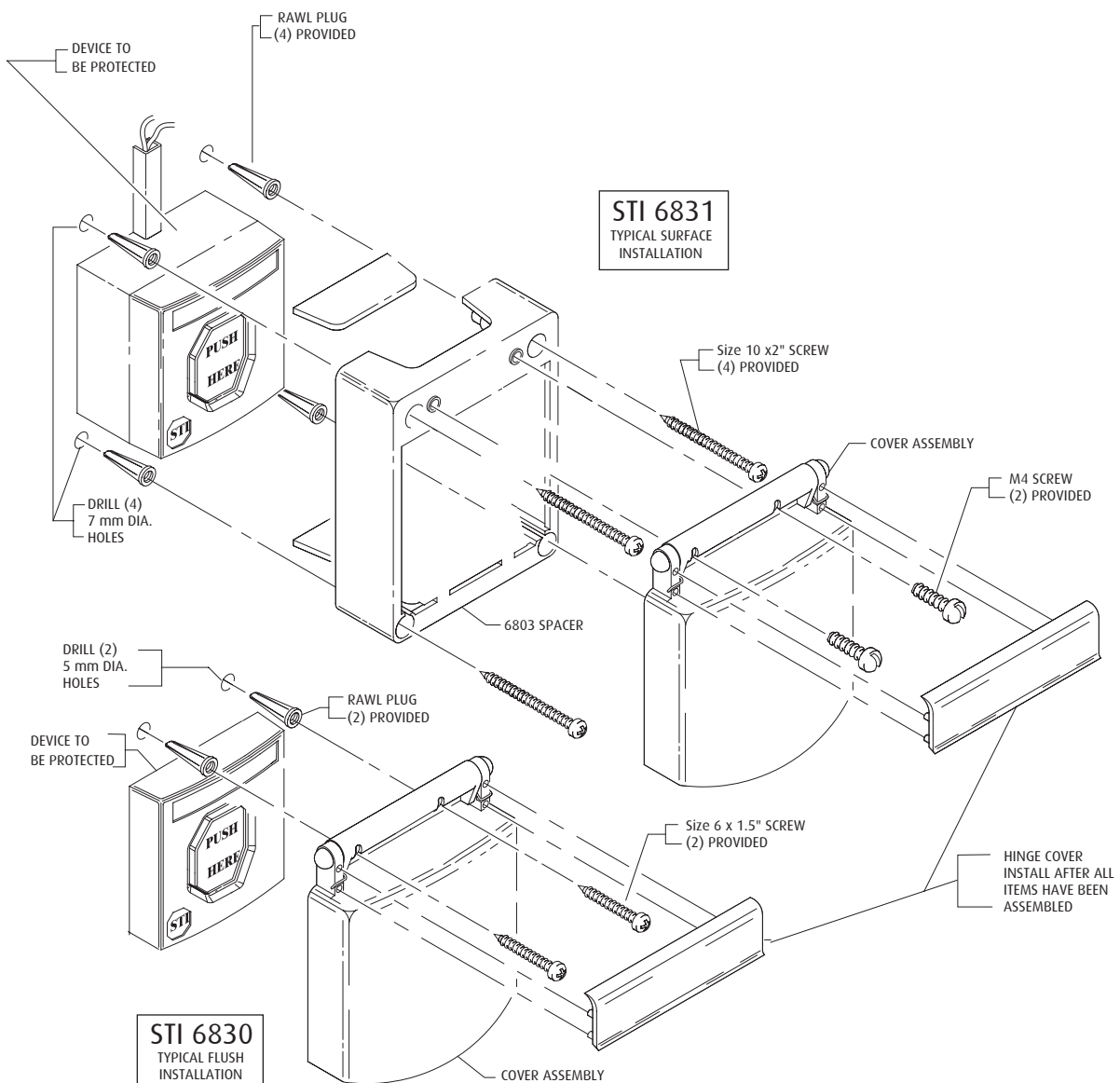
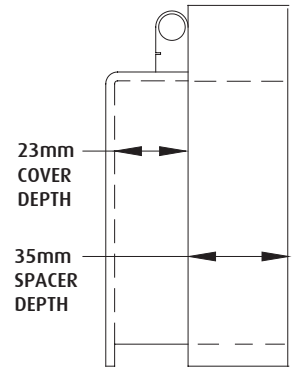
- Position the Mini Stopper centrally over the device to be protected and mark the position for the two fixing holes. Using a 5mm masonry drill bit, drill the marked holes and insert the size 4-8 rawl plugs provided.
- Secure the cover to the wall only with the fixings provided.
- When fixed to the wall, fit the small 'snap on' hinge cover over the top of the fixing screws for extra protection.

Surface Mount Application

- The surface spacer provides cable entry facilities for conduit, cable and trunking. Depending on the method of installation, select and fit the required inserts into the spacer.
- Place the spacer centrally over the device to be protected and mark the position for the four fixing holes. Using a 7mm masonry drill bit, drill the marked holes and insert the size 8-12 rawl plugs provided.
- Fix the spacer to the wall with the four fixing screws provided. Then fix the cover to the spacer using the two M4 fixing screws.
- When fixed to the wall, fit the small 'snap on' hinge cover over the top of the fixing screws for extra protection.



PRODUCT DIMENSIONS
(INTERNAL CLEARANCE)



STI 6831
TYPICAL SURFACE
INSTALLATION

STI 6830
TYPICAL FLUSH
INSTALLATION