

STD 45G

'Unbreakable' Wall or Pedestal Mounted
Emergency Eyebath/Facewash Fountain
with integral lid, aerated diffusers,
flow regulator and self-adhesive sign.
(Shown with optional Optiflex).

Pedestal mounted model
STD-45G/P available in Galvanised or
Stainless Steel.



EMERGENCY EYEBATH & FACEWASH EQUIPMENT

In an endeavour to keep abreast of the ever increasing legislation concerning the provision of adequate first-aid equipment and facilities, we have expanded and improved our already comprehensive range of Emergency Eyebath and Facewash Models.

With our extensive range, we can cater for all possible applications, whether it be in a factory, washroom, laboratory or even a school. All models are built to the highest standards and are designed to be very quick and simple to operate.

Most of the eyebaths within this range are designed for use indoors but may be located outdoors in warm climates.

Eyebaths and Eye/Facewash Fountains are designed to wash away contaminants from the eyes and face quickly and continuously for 10-15 minutes or longer, as recommended by the International Health and Safety Organisations.

Eyewash Bottles containing a Saline Solution alone do not meet this criteria; such bottles should only be used after a 10-15 minute wash using a plumbed-in Eyebath or Facewash Unit.

EQUIPMENT DATA SHEET

INLET CONNECTION SIZE & TYPE	15 MM COMPRESSION FITTING (DOUBLES AS 1/2" BSP MALE)
PIPING & VALVE MATERIALS	BRASS
OPERATION	PULL LID FORWARDS
OPERATING PRESSURE	2.0 BAR G MINIMUM
FLOW AT OPERATING PRESSURE	20 LITRES/MINUTE
OVERALL DIMENSIONS:	340W X 265D X 205H
UNIT WEIGHT	3KG (APPROX.)

See our new website

www.hughes-safety-showers.co.uk



WHITEFIELD ROAD,
BREDBURY, STOCKPORT
CHESHIRE, SK6 2SS
UNITED KINGDOM
Tel: +44 (0)161 430 6618
Fax: +44 (0)161 430 7928
EMAIL: sales@hughes-safety-showers.co.uk

STD-45G

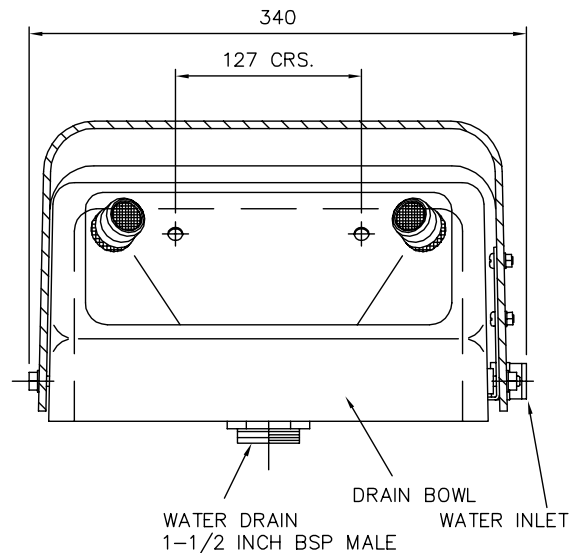
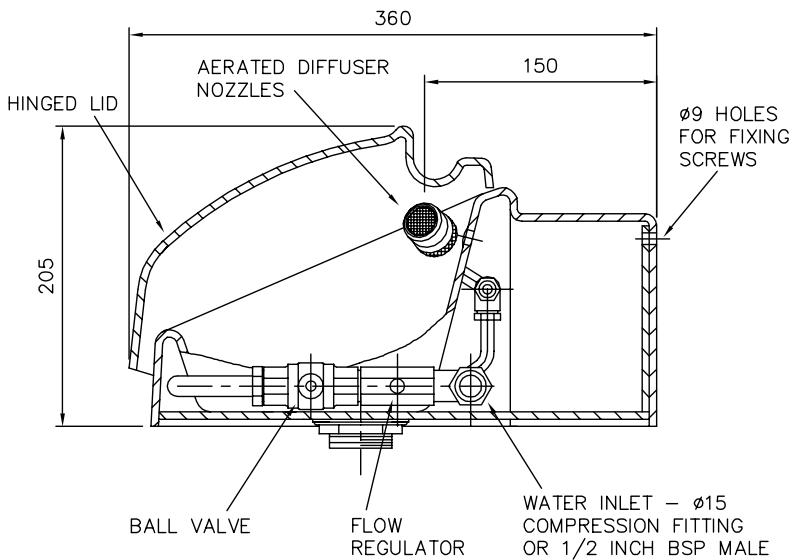
G.A. DRAWING

DIMENSIONS IN MILLIMETRES PROJECTION

NOTE: - EYEBATH NOZZLES TO BE 840-1120mm (33 - 45 INCHES) ABOVE FLOOR LEVEL.



PICTOGRAM EYEBATH SIGN SUITABLE FOR WALL MOUNTING (OPTIONAL)



WALL MOUNTED EYEBATH/FACEWASH FOUNTAIN.

MANUFACTURED FROM SCRATCH RESISTANT ACRYLIC CAPPED ABS PLASTIC - COLOUR WHITE

DRAWN	ASF	HUGHES SAFETY SHOWERS Whitefield Road, Bredbury, Stockport, Cheshire, SK6 2SS, England. Telephone (0)161 430 6618, Fax (0)161 430 7928 Email: sales@hughes-safety-showers.co.uk	MODEL
CHECKED	AL		STD-45G
APPROVED	ADH		DRAWING NO: DG36002
DATE	22/12/03		REV. F

See our new website

www.hughes-safety-showers.co.uk